



The ARC-H sub surface wireless charger offers the ultimate in charging convenience. With a charging range of 15-30mm (coil to coil), ARC-H can be installed without the need to cut into the underside of the surface for most standard installations.

A simple decal is all that is required to guide placement of mobiles on the surface.

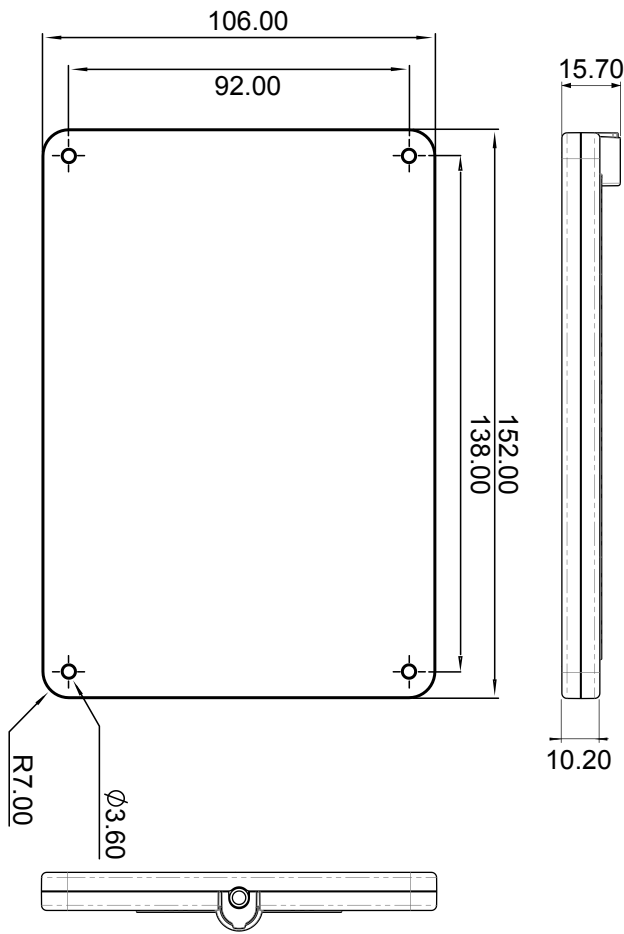
ARC-H is designed for the easiest of installations, simply fix to the underside of the surface with the screws supplied. The decal is then placed on the surface using the unique magnet alignment method.

With 10W of charging power ARC-H is one of the fastest sub surface wireless chargers on the market, convenient for a quick boost or full charge when you need it most.

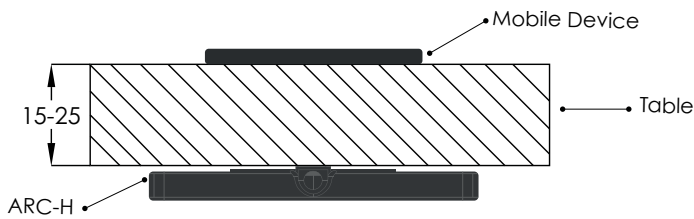


- 10 Watts of charging power
- Desk Thicknesses from 13-25mm
- No cutting install
- Fast charge for Samsung (10W)
- Apple (7.5W)

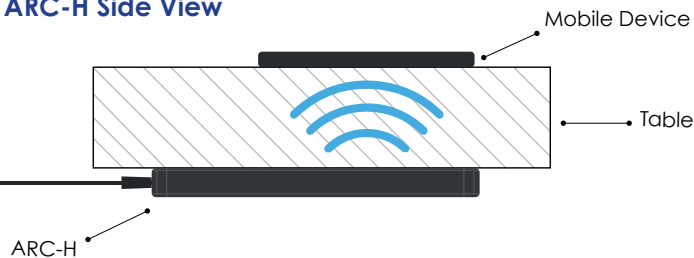
## ARC-H Dimensions



## ARC-H Front View

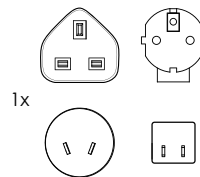
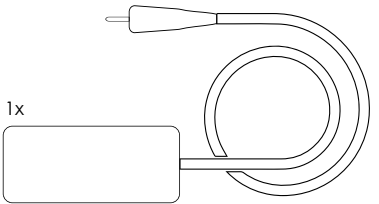
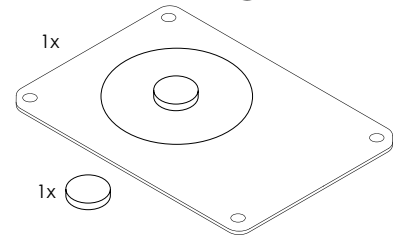
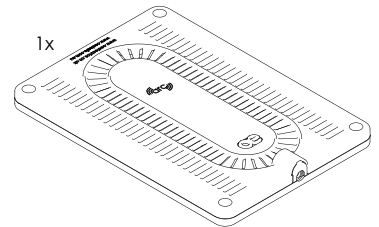
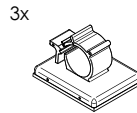


## ARC-H Side View



## Specifications

Output power:	Up to 10W
Input power:	19V/0.94A
Standby power:	0.2W
Charging Z-Distance:	15-30mm (coil to coil)
Desk Thickness:	No routing for surfaces 13-25mm. (thicker surfaces require under desk routing)
Certification:	IEC 60950-1 (Safety) EN62311 (Health) EN 301 489-1, EN 301 489-3 (EMC)EN 303 417 (Radio)
Available colours:	Black
In the box:	1 x ARC-H, 1 x Power Adapter with 1.5m lead, 4 x Desktop Decals (2 x large, 2 x small), 1 x Alignment Magnet, 1 x Alignment Template, 3 x Cable Clips, 1 x Installation Manual.



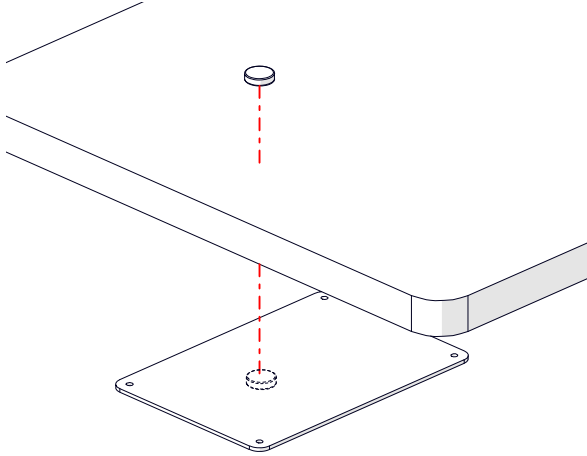
1x

**The ARC logo & magnet on the underside of the ARC-H indicates the centre of the charging coil. Ensure the unit is mounted aligning the desktop decal with the arc logo.**

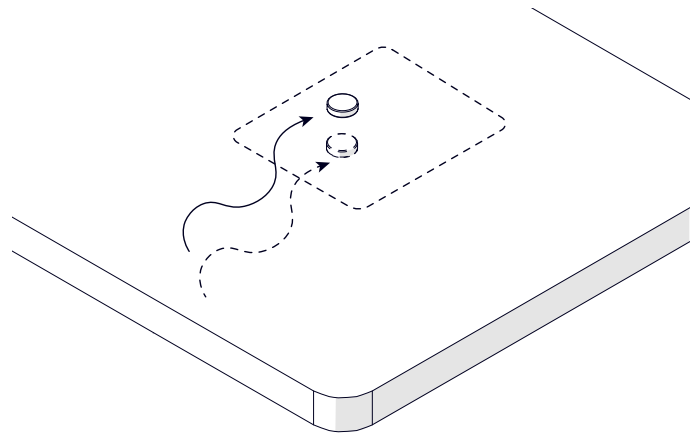
# Installation

The ARC logo identifies the coil centre which must be aligned with the sticker

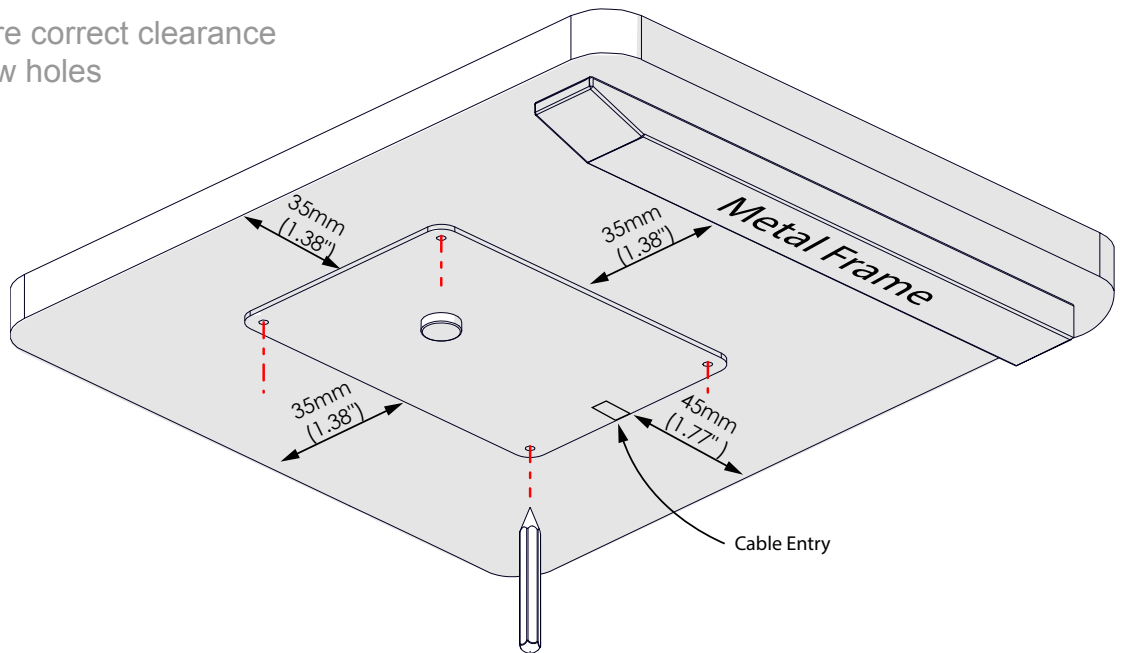
- 1 Attract magnets (thicknesses up to 25mm / 0.98")



- 2 Move guide to your desired location

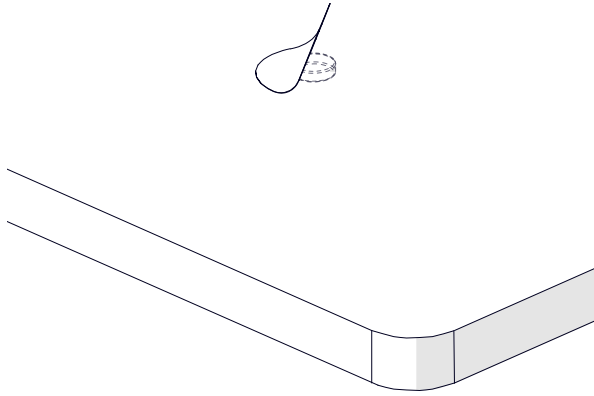


- 3 Adjust to ensure correct clearance and mark screw holes

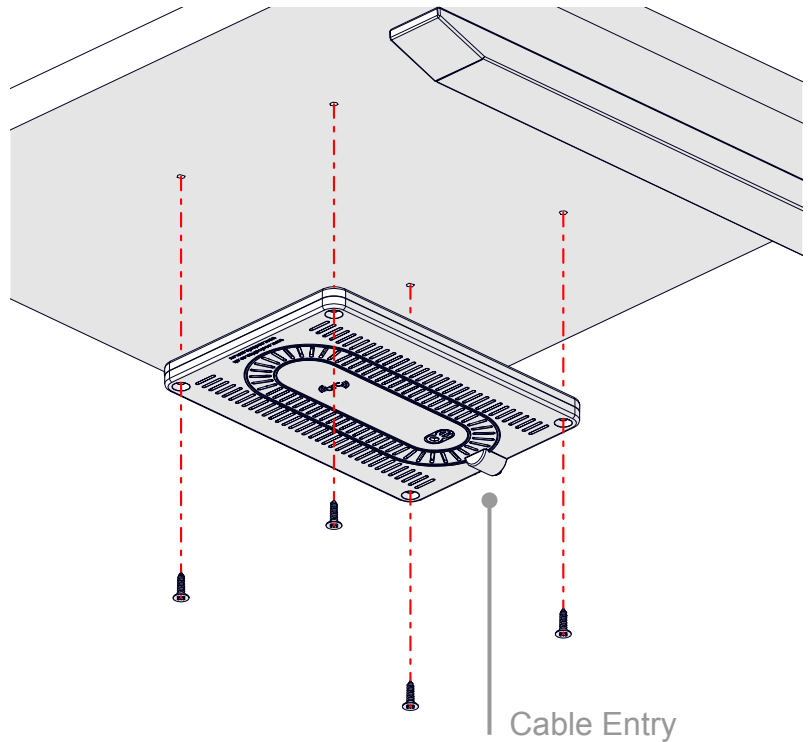


# Installation

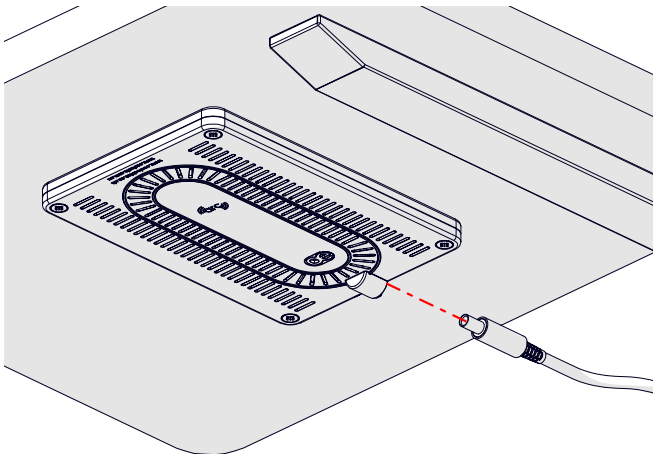
4 Place sticker where the magnet indicated



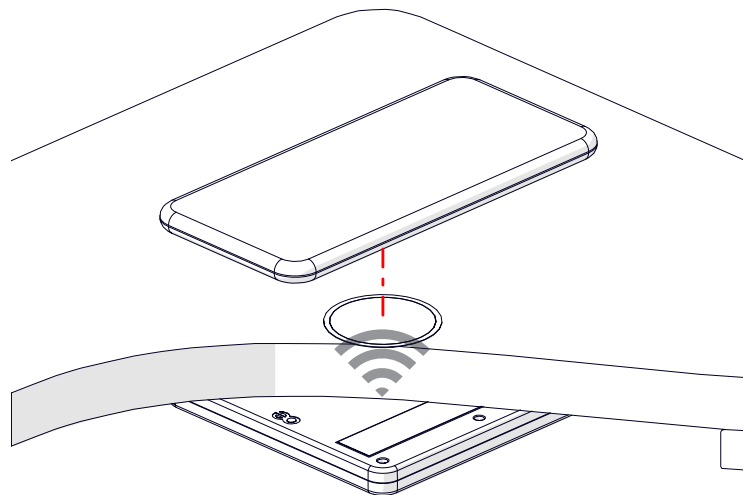
5 Fit ARC-H with tape (provided) or screws



6 Connect power and check for blue LED

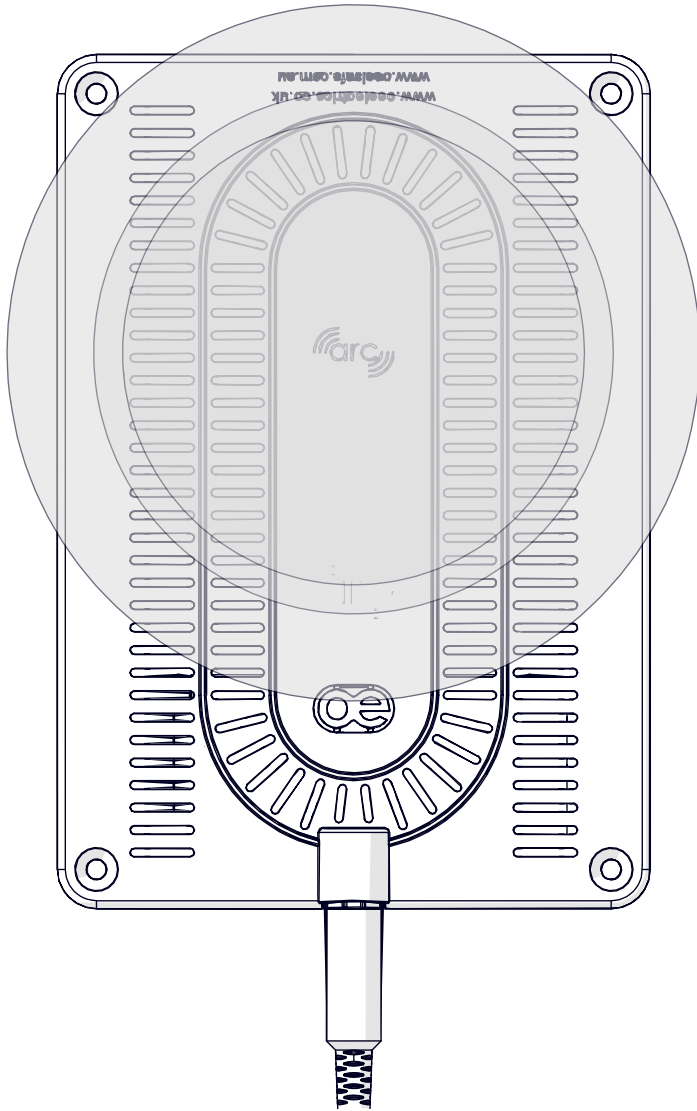


7 Place phone on the sticker and charge



# Installation

- 8 The ARC logo identifies the coil centre which must be aligned with the sticker



- 9 Common queries / installation problems

## Common queries

### The phone will not charge when I place the phone directly on the charger, to check it works before installation?

The charger will not charge a phone unless it is separated (and aligned) from the phone by at least 15mm.

### The magnets will not attract each other through my desk?

The magnets only work up to 25mm. Route the area of the desk underside, where ARC-H is to be fitted, to <25mm).

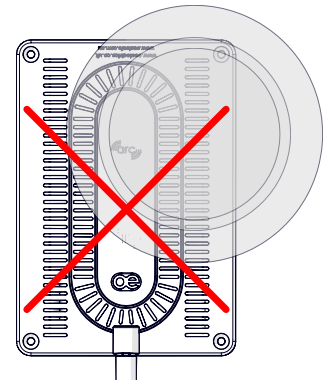
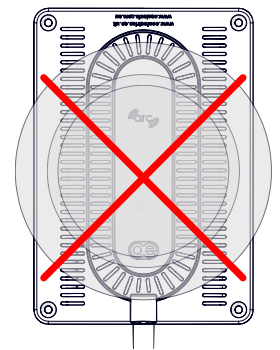
## Common installation errors

Sticker fitted over the centre of the charger - WILL NOT WORK

The charging coil is Off-Center, the alignment guide MUST be used to guarantee accuracy

Sticker misaligned - WILL NOT WORK

The alignment guide MUST be used to guarantee accuracy



## LED Functions

**Slow on/off blue** - Device is on and in stand-by mode

**Solid blue** - Device in on and in charging mode

**Red** - Error mode

- **Foreign Object Detected** - Remove metal from near charger
- **Phone is too close** - Move phone greater than 15mm away
- **Plug pack issue** - Use only original plug pack
- **NON-compatible device** - Upgrade phone



# Placement Guidance

